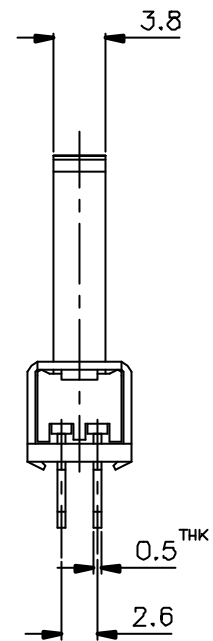
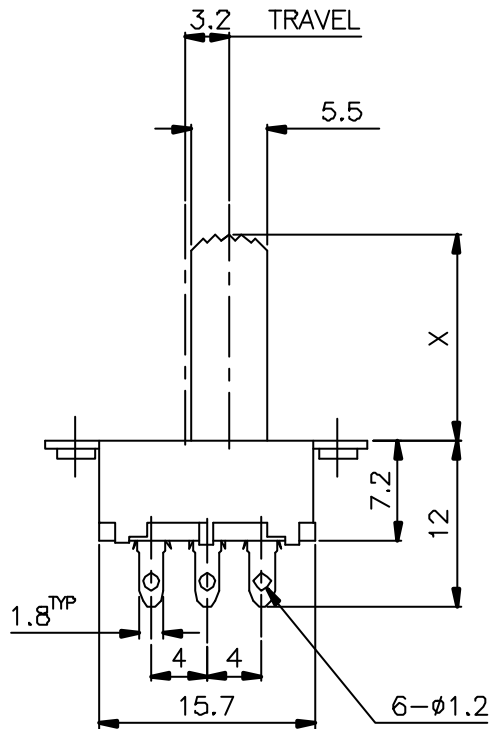
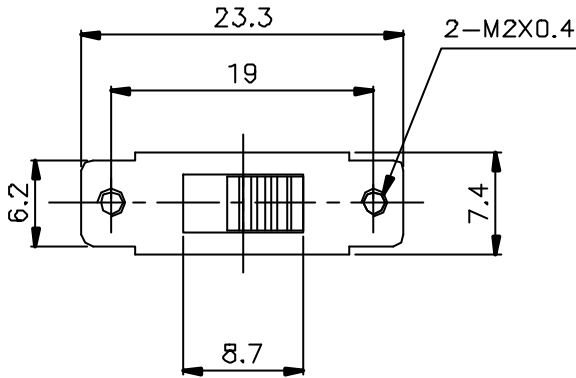


SCHEMATIC



X=

ISSUED	SPECIFICATION (INITIAL)	TITLE:	SLIDE SWITCH 2P2T		
	RATING: DC 50V 0.5A	MODEL NO:	SS-22F25-G		
	CONTACT RESISTANCE: Not more than 30m (initial)	UNIT: m m	DWN		
	INSULATION RESISTANCE: 500MΩ at 500V DC	SCALE: 2 : 1	CHK'D		
	WITHSTAND VOLTAGE: AC 500V for 1 min	TOLERANCE: ±0.2	APPD.		
	OPERATION FORCE 400±250G				
	SWITCHING LIFE: 10,000 Cycles(6-10C/M loading)				
BY:	PROMOTIVE INDUSTRIAL CO., LTD. HONG KONG			DRWG NO:	
DATE:				B 800528-00	